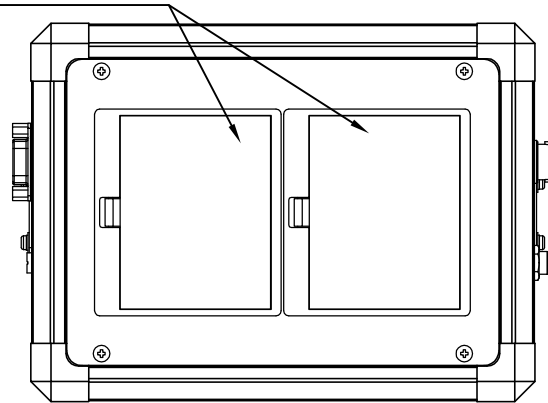
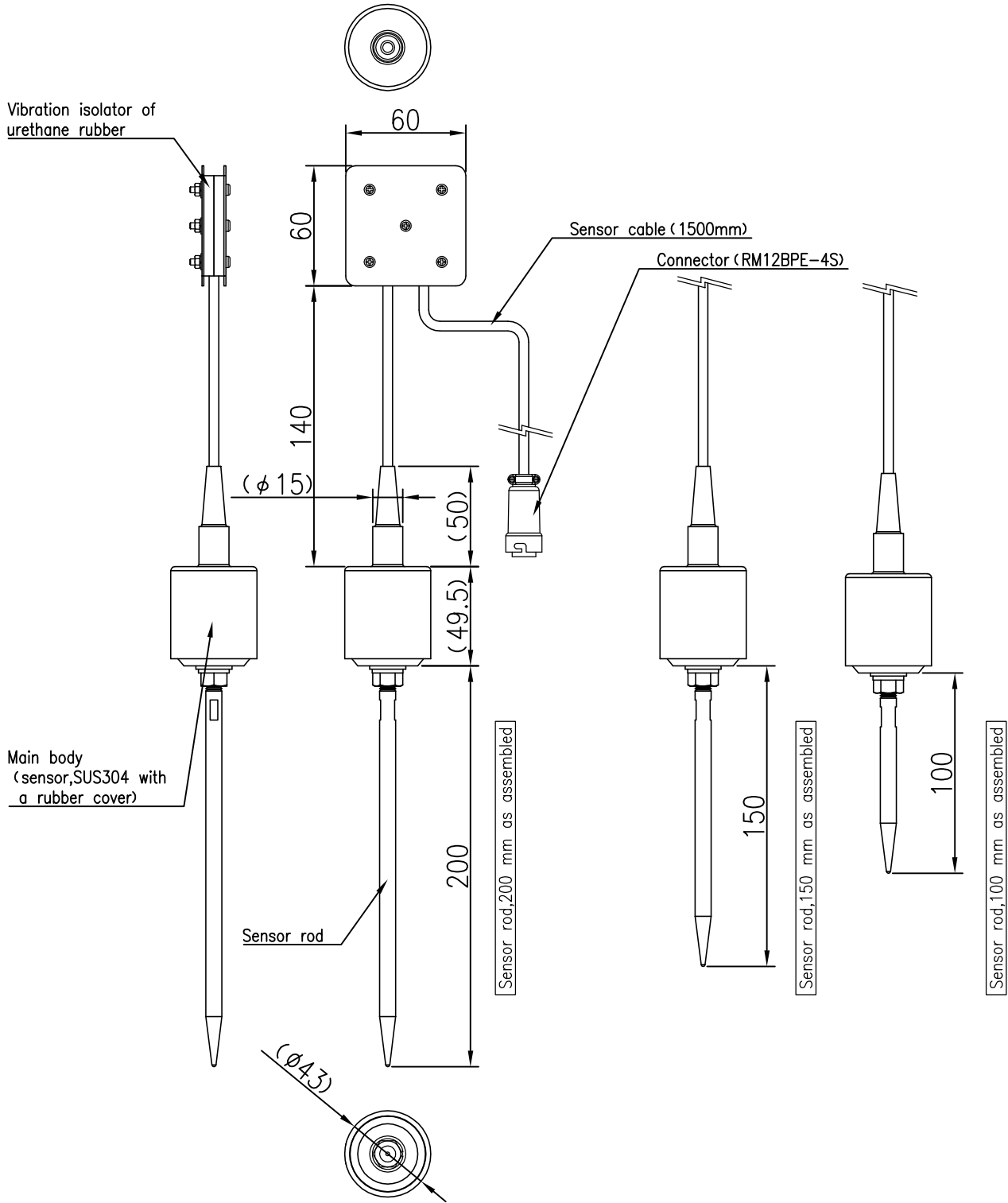


Battery box (8AA batteries)



Rear View

Material	Main body:aluminum, Front panel:SECC		Treatment	Main body: anodized aluminum,silver-color	
Revision history				Front panel: silver-color paint	
00	2014.03.03	First edition			
SCALE	APPROVED BY	CHECKED BY	TITLE		
1/3 (A4 SCALE)	lijima	lijima	Groundwater Aeration Sound		
UNITS	DESIGNED BY	DRAWN BY	Measuring Device GAS-03		
mm	Ishii	Ishii	Measuring recording unit Outline		
3RD ANGLE PROJECTION	TAKUWA CORPORATION		DRAWING NO.		REGISTERED
			T001403002-CF10		2014.03.03



Material	Sensor:SUS304,Cover:Rubber	Treatment	-
Revision history			
00	2014.03.03	First edition	

SCALE	APPROVED BY	CHECKED BY	TITLE
1/3 (A4 SCALE)	Iijima	Iijima	Groundwater Aeration Sound Measuring Device GAS-03 Pickup sensor Outline
UNITS	DESIGNED BY	DRAWN BY	
mm	Ishii	Ishii	
3RD ANGLE PROJECTION	TAKUWA CORPORATION		DRAWING NO.
			T001403002-CF00
		REGISTERED	2014.03.03